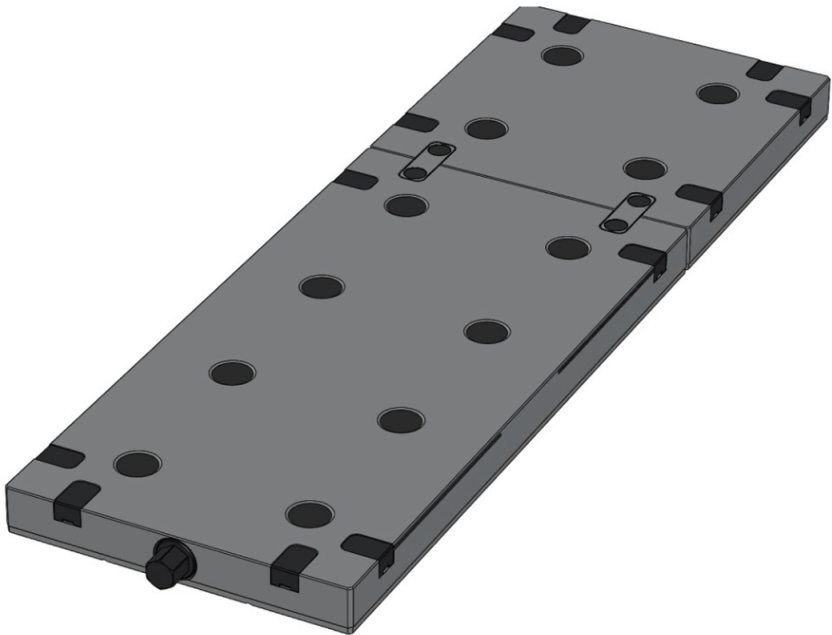


Operating Instructions

Original Instructions

Quick-Point® Modular Plates



Item number
85720 / 85710

Copyright:



LANG
TECHNIK

LANG Technik GmbH
Albstraße 1-6
D-73271 Holzmaden
Phone: +49 7023 9585-0

Fax: +49 7023 9585-100 Internet: www.lang-technik.de
General e-mail: info@lang-technik.de Sales e-mail: sales@lang-technik.de



This documentation contains instructions and information that may not be reproduced, distributed or transmitted using data technology, or utilized without permission for competitive purposes, either in whole or in part. This documentation is subject to errors and omissions. LANG Technik GmbH reserves all rights to this documentation.

Product modifications: Modifications to the product by the customer void the warranty. No modifications may be made to the product without the manufacturer's consent.

Use only original spare parts. There is no guarantee that parts sourced from third parties are designed and produced to withstand the intended use and safety requirements. The manufacturer provides full warranty coverage only and exclusively for spare parts ordered from him.

The manufacturer is continually working to improve his products and reserves the right to make modifications to them. The manufacturer is therefore under no obligation to make subsequent modifications to products already delivered.

General Terms and Conditions of Sale and Delivery:

Our General Terms and Conditions of Sale and Delivery generally apply. These terms and conditions are available to the operator upon the signing of the contract.

Warranty and liability claims for personal injury and property damage are excluded if they are due to one or more of the following:

- Improper use
- Incorrect installation, commissioning, operation and maintenance
- Operation of the product when it is defective
- Inadequate monitoring of parts that are subject to wear
- Failure to follow the instructions in the documentation
- Catastrophic events caused by external influences or force majeure

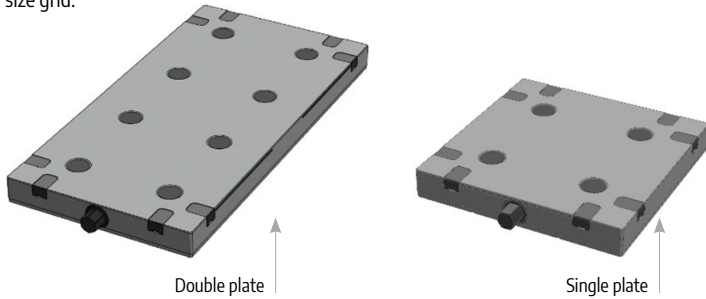
Chapter 1 Product Description		Page
1.1	Unit	
1.2	Versions	
1.3	Dimensions	2
Chapter 2 Technical Data		
2.1	General Data	
2.2	Material	
2.3	Scope of Supply	
2.4	Repair	3
Chapter 3 Design and Function		
3.1	Assembly	4
3.2	Use	6
3.3	Maintenance	7
Chapter 4 Servicing		
4.1	Malfunctions/Errors	8
Chapter 5 Warnings		
5.1	Intended Use	
5.2	Personnel Requirements	
5.3	Protective Equipment and Safety	8
Chapter 6 Decommissioning		
6.1	Disposal	9
Chapter 7 Explanation of Symbols		
7.1	Symbols	10

1.1 UNIT

The Quick•Point® Modular Plates are an enhancement to the well-established variants with improved pull-down force and the option to use connectors to connect and align them without an alignment gauge. An added bonus for the customer is that these connected plates can be used with only one tightening screw.

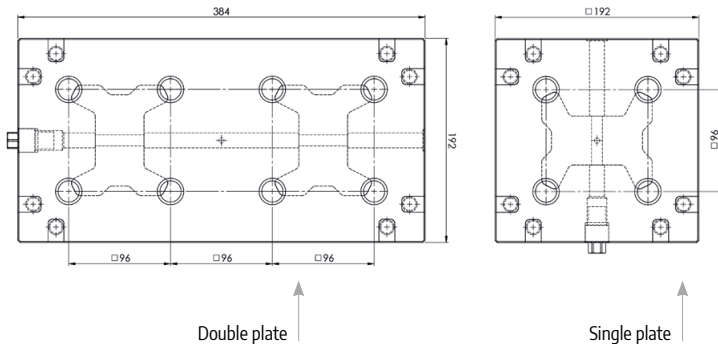
1.2 VERSIONS

The base unit is always composed of a double plate with 2 clamping units in a 96 x 96 mm size grid.



This can be expanded by adding another, identical plate, or a single plate with only one clamping unit.

1.3 DIMENSIONS



2.1 GENERAL DATA

Description	Item number	Overall dimensions Width x Length	Weight
Double plate	85720	192 x 384 mm	14,8 kg
Single plate	85710	192 x 192 mm	7,4 kg

2.2 MATERIAL

Component	Material
Plate, screw, rods, connectors and fasteners	Steel
Caps and covers	Plastic IXEF 1032 (PAA Gf60)
Seals	NBR70

2.3 SCOPE OF SUPPLY

The scope of supply includes only the items you ordered.

(Quick•Point® plate / cover plugs / covers)

The conversion kits for connecting multiple plates and the cover plug remover must be ordered separately and in the correct quantity.

2.4 REPAIRS

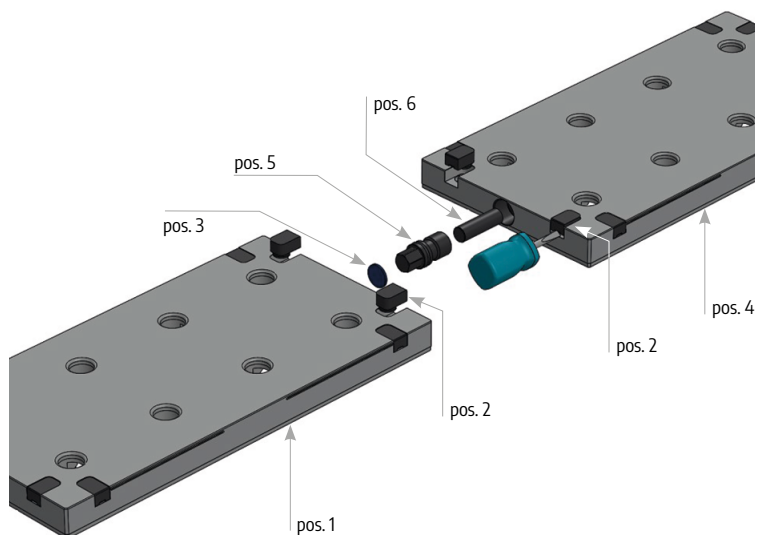
Please contact LANG Technik GmbH directly if any item is damaged or malfunctioning.

LANG Technik GmbH • Albstraße 1-6 • D-73271 Holzmaden, Germany • Phone: +49 7023 9585-0

3.1 ASSEMBLY

If several Quick•Point® Modular Plates are interconnected, the corresponding mounting holes must be available for the particular machine table and the relevant covers must be removed on the connection ends.

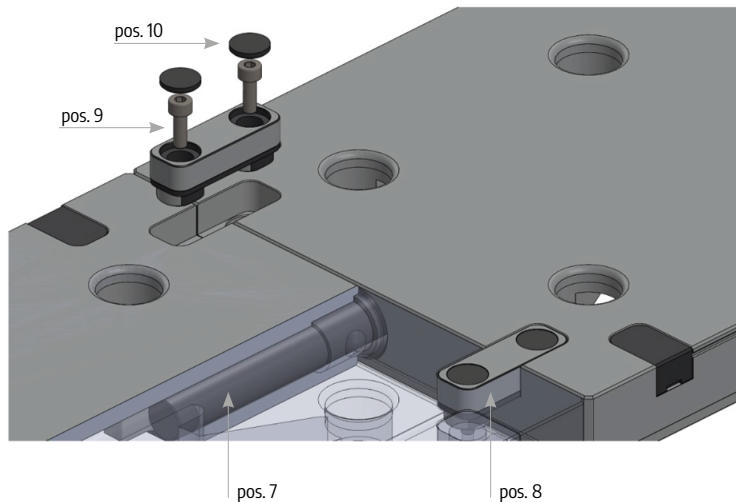
Plate 1 (pos. 1) includes the caps for the connectors (pos. 2) as well as the cover of the through-hole (pos. 3).



The connecting plate 2, which is to be connected in series (pos. 4), includes a cap for the connectors (pos. 2) as well as the tightening screw (pos. 5) and the actuation bolt (pos. 6), which also need to be removed.

A conversion kit is needed in order to connect them in series. This includes an actuation bolt (pos. 7) inserted in the through-hole between the plates, as well as two connectors (pos. 8). If the plates are attached with these, they must be secured with the enclosed cap screws (pos. 9).

The cover plates (pos.10) included in the kit are then used to cover the screw holes. When assembled correctly, nothing from the connectors or the cover plates sticks out above the surface of the Quick•Point® Plates.



Description	Item number	Contents
Conversion kit	85700	1 actuation bolt, 2 connectors, 4 cover plates, 4 cap screws
Connector kit	85701	2 connectors, 4 cover plates, 4 cap screws

3.2 Use

Except as described under 1.2 "Versions" as single plates, the plates are suitable for the combinations shown below. Pay attention to the tightening torque of the clamping screw (pos. 11).

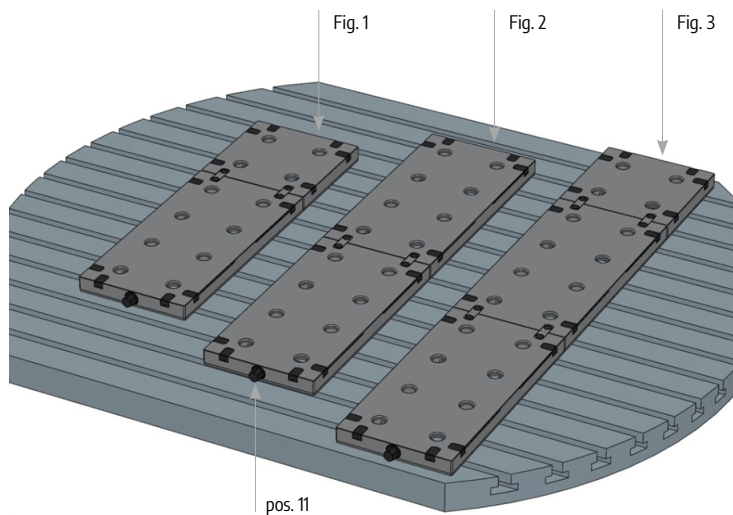


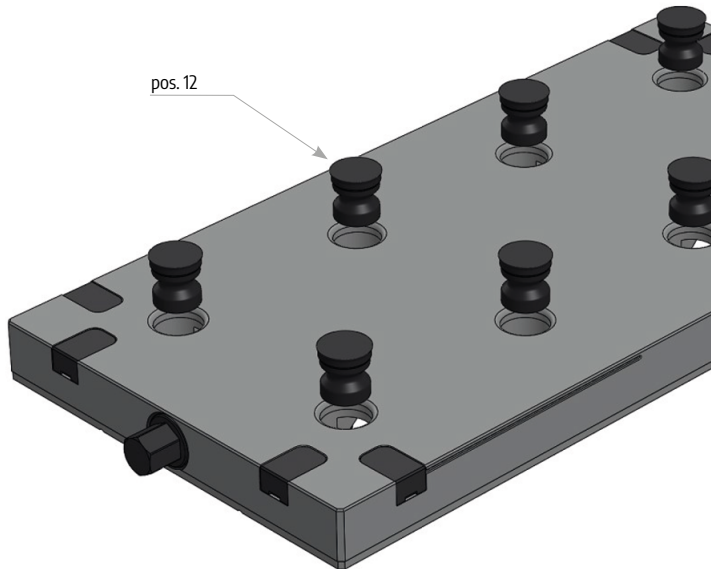
Fig.	Combination examples			Max. torque
1	Double plate (85720)	Single plate (85710)	-	40 Nm
2	Double plate (85720)	Double plate (85720)	-	50 Nm
3	Double plate 85720	Double plate (85720)	Single plate (85710)	60 Nm

**LANG TECHNIK NOTE**

If the modular plates are used without connecting them, do not exceed a tightening torque of **30 Nm**.

3.3 MAINTENANCE

To keep the Quick•Point® Modular Plates free of dirt and to ensure even clamping behavior, make sure that all unused clamping points are capped off with the enclosed cover plugs (pos. 12).



LANG TECHNIK NOTE

Clean the Quick•Point® Modular Plates after use and protect them from corrosion. No maintenance by the customer is required.

4.1 MALFUNCTIONS/ERRORS



Do not to exceed the 30 Nm tightening torque.

In addition, clean the Modular Plates, as well as all other components, and protect from corrosion. The manufacturer assumes no liability for any damage in this regard.

5 WARNINGS

5.1 INTENDED USE

The operating company is responsible for using the product as intended, with caution and under the appropriate conditions. In the event of improper use, no liability shall be assumed by the manufacturer, nor shall any refund be provided.

5.2 PERSONNEL REQUIREMENTS

Operating company responsibilities:

- Only trained personnel with the relevant background knowledge (specializing in metal), e.g. CNC operators, are authorized to work with the product.
- Personnel responsibilities with regard to installation, commissioning, operation, maintenance and repair must be clearly defined.
- Trainees may work with the product only when supervised by an experienced professional (specializing in metal) or by a CNC operator.

5.3 PERSONAL PROTECTIVE EQUIPMENT AND SAFETY OF PERSONNEL

- Personal protective equipment (work clothes and non-slip safety footwear, gloves, hair net, etc.) must be worn as specified in the guidelines and regulations of the employer's liability association and the operating company. Obtain information from your employer's safety officer.



6.1 DISPOSAL AS SPECIFIED IN EU DIRECTIVE 2018/851

Comply with country-specific disposal regulations when disposing of equipment.



LANG Technik products are not considered household waste.
Failure to comply with disposal requirements is a regulatory offense.



Accessories and packaging are recycled in an environmentally friendly manner.

Product	Material	Disposal
Housing, screws, nuts, etc.	Metal	Separation of materials Recycle by melting down
Protective shield	Plastic	Recycle
Hoses	Rubber, PVC, steel	Separation of materials Recycle
PE film	Plastic	Recycle
Packing material	Pallet wood	Recycle
Hydraulic oil	Mineral oil	As per local regulations

7.1 SYMBOLS

Please pay attention to the following warning symbols



Read all the operating instructions carefully before commissioning for the first time and keep it in a safe place for future use



Please read and follow the technical and safety instructions



The use of protective gloves made of tough, resistant material is recommended



A helmet and safety goggles are recommended for personal safety



To reduce the risk of eye injuries, wearing protective goggles as specified in EN 166 is recommended



Safety footwear are part of the protective equipment



Materials are recycled in an environmentally friendly manner



Do not dispose of the material in household waste



LANG Technik GmbH
Albstraße 1-6
D-73271 Holzmaden
Phone: +49 7023 9585-0

Fax: +49 7023 9585-100 Internet: www.lang-technik.de
General e-mail: info@lang-technik.de Sales e-mail: sales@lang-technik.de